

WL-1 Art Light User's Manual

Architectural illuminator WL-1 (White LED) is designed to artistically lighten up objects during dark periods of time (architectural illumination). Adjustable angle possibility (from 2° to 60°) and built-in photo cell make WL-1 fit for any situation. The illuminator is designed for indoor and outdoor uses. For appropriate cooling it is necessary to provide free circulation of ambient air around the illuminator's case (while installing).

WL-1 illuminator consists of an aluminum case (1), covered by visor (2), a cable jack (3) on its back side, a photo sensor (4) and adjusting screw (5) for setting of radiation angles. The screw is covered by a plastic lid (6). Two nuts threaded M4 are provided to attach the bracket to the bottom of the illuminator.

Technical characteristics

- Temperature color: 6500
- Illumination angle, see Table 1
- Illumination range, m: Variable - from 2 to 60 *
- Input voltage, V: 12...24 AC/DC
- Power consumption: under 4 Watts
- Operating temperature, ° C: -30...+40
- Dimensions, without bracket, mm: 72×73.5×185 **
- Weight, kg: 0,74 **
- Protection Standard IP66

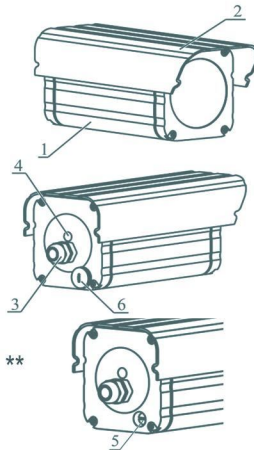


TABLE 1

illumination angle	2	2.5	3	3.5	4	5	6	9	13	17	25	45	50	60
light strength, cd.	54900	48600	33700	24800	19000	12200	8200	3750	1800	1060	488	290	236	164

* One full rotation of the adjusting screw equals 1,3° illumination angle change. Rotate counter-clockwise to expand the angle.
 ** The weight without a bracket

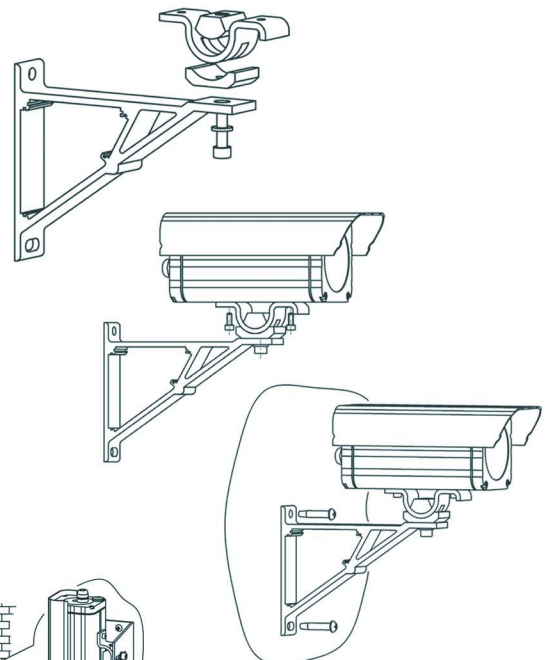
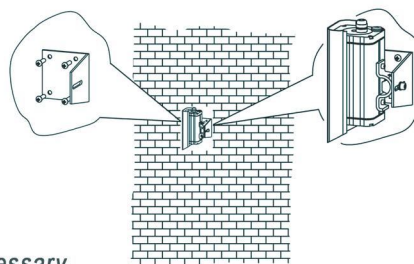
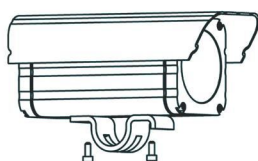
Installation Guide

Assembly type 1

- Assemble the bracket as shown on the picture.
- Attach the illuminator with a visor to the bracket using two internal hexagon screws M4x10 (included in your package).
- Adjust horizontal placement settings.
- Vertically fix the bracket with the illuminator.
- Losing the hinge screw adjust rotation and vertical angles.
- Tighten the screws.

Assembly type 2

- Assemble the bracket as shown on the picture.
- Fix the optional bracket on a vertical surface as shown on the picture
- Place the illuminator on the wall hinge using the bracket as shown on the picture; adjust the position angle



Connect to a power source.

Attention!!! Connection polarity is not necessary.

Remove plastic film from the glass.

Unscrew the plastic lid from the back panel of the illuminator. Rotating the adjusting screw, set the desired illumination angle (+1.3 degree per full 360 turn, default factory setting is 2 degrees).

Screw the plastic lid back in.

Maintenance

Periodically clean the protective light filter and illuminator's case.

Use a scrub or a brush to clean the case. Water may be used if needed.

The light filter cleaning is done with a wet cotton cloth. Continuously change the contacting surface of a cloth to avoid filter's damage.

Warning! Never use dissolvents or chemical reagents!

IR-1 illuminator complies with EN60065:2001+Amd1: Audio, Video & similar electronic equipment: Safety requirements and maximum permissible exposure limits of IEC60825-1. This product conforms to EMC Directive 89/336/EEC as amended by 92/31/EEC and 93/68/EEC. Class 1M LED product.

Caution! Invisible LED radiation! Do not look directly via optical magnifiers.

Storage Rules

The illuminator should be stored in a closed space away from acid vapors or alkali mist. Ambient air temperature should be from -50°C to $+50^{\circ}\text{C}$; relative humidity should not exceed 80% at 25°C .

Package Includes

Package includes

1. WL-1 Illuminator
2. Visor
3. Bracket Set (4 bracket pieces, two M4×10 screws, one M6×25 screw, a washer size 6)
4. Hexagonal key 4, 5
5. Technical passport
6. Packing set

Warranty

The manufacturer or the supplier guarantees the WL-1 illuminator's conformity to the technical requirements under condition of compliance with storage and operational rules described in the manual.

Warranty period is 24 months from the date of sale. The warranty is voided in case of user's non-compliance with the storage or operation rules, case integrity breach or voluntary repair, alteration, modernization etc.

Delivery Confirmation

Serial number _____

The IR-1 illuminator passed the engineering control test and is considered to be in operational condition. ECD(Engineering Control Department) Stamp

Date of the test _____

Trade organization _____

(Place for stamp)

Date of sale _____

Signature of the buyer _____



Head Office

Office 317, 100/2,
Dmitrovskoe Shosse,
Moscow, 127591, Russia
Tel: +7 (495) 788 66 62
Fax: +7 (495) 481 45 92
info@microlightcctv.eu
www.microlightcctv.com

European Office

G.Z. security GmbH
Donnersberggring 62
Darmstadt, 64295, Germany
Tel: +49-173 -9760466
Fax: +49-6151-9513673
info@GZSecurity.eu
www.GZSecurity.eu